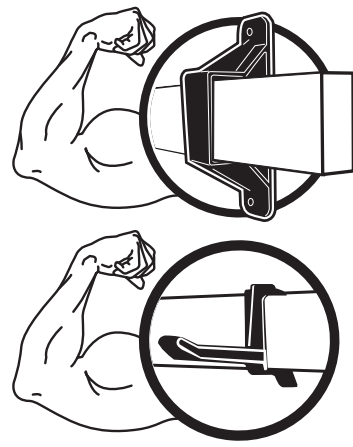
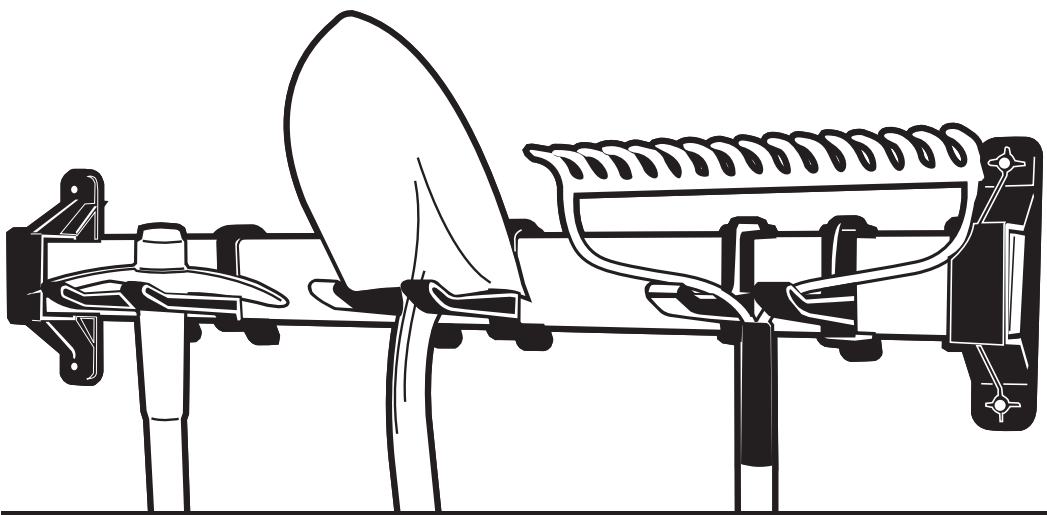
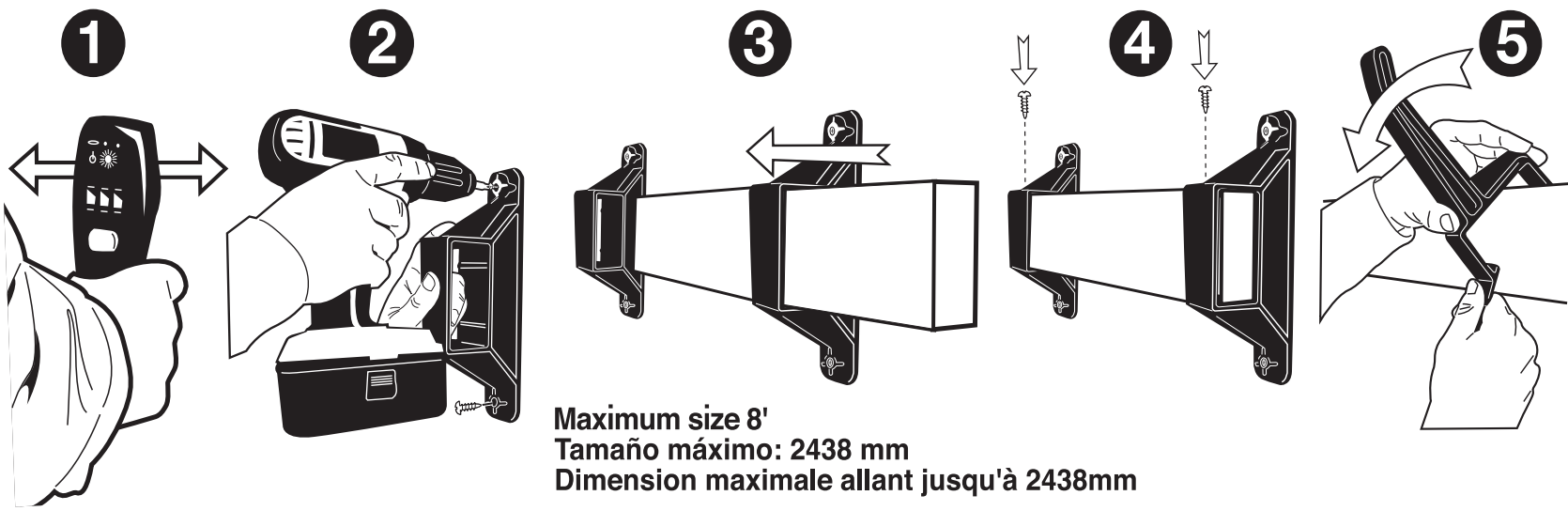
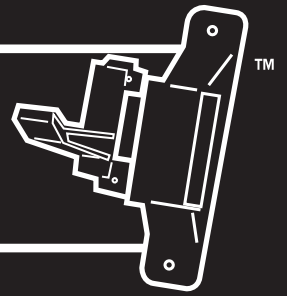




**2x4basics<sup>®</sup>**

**STORAGE SYSTEM**

**STUDTRACK**



**50lbs each**  
**50lbs cada uno**  
**50 livres chaque**

**15lbs each**  
**15lbs cada uno**  
**15 livres chaque**

**MAKE IT ANYSIZE<sup>™</sup> JUST ADD 2X4<sup>™</sup>**

[www.2x4basics.com](http://www.2x4basics.com)

HOPKINS MANUFACTURING CORPORATION  
428 PEYTON STREET • EMPORIA, KS 66801  
800.835.0129 • TechSupport@hopkinsmfg.com