


2x4basics[®]

OUTDOOR FURNITURE **PICNIC TABLE KIT**


Included

x60
#10x1"
(4.75mmx25mm)

x4



x2



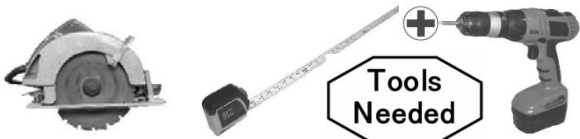
x20

2x4

3 1/2"
(89mm) 1/2"
(38mm)

Materials Needed

Tools Needed



Maximum Recommended Length of X & Y = 6' (1829 mm) (Per Pair of Legs)

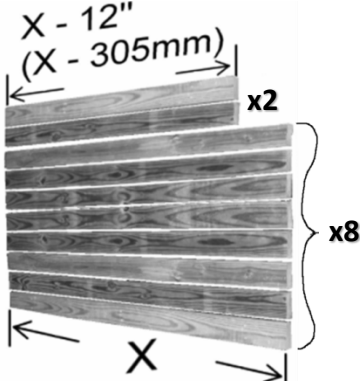
1

X - 12"
(X - 305mm)

x2

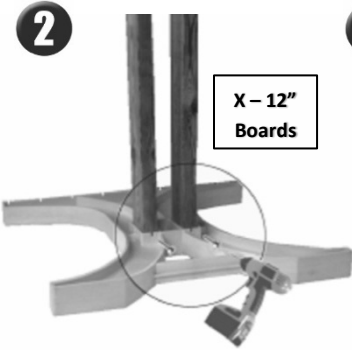
x8

X

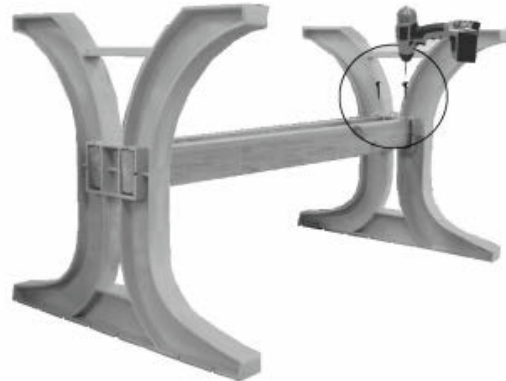


2

X - 12"
Boards



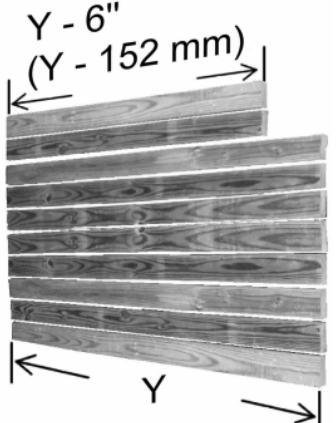
3

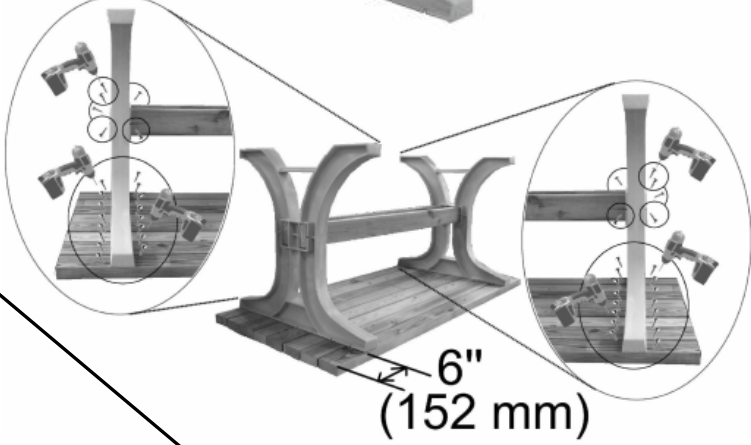


5

Y - 6"
(Y - 152 mm)

Y



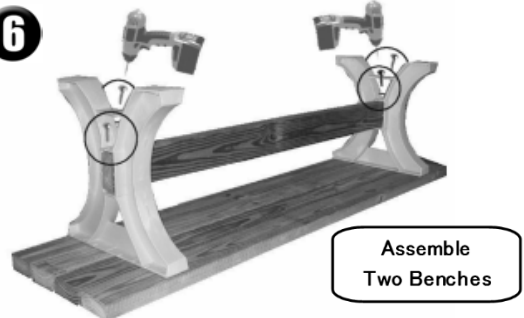


6"

(152 mm)

6

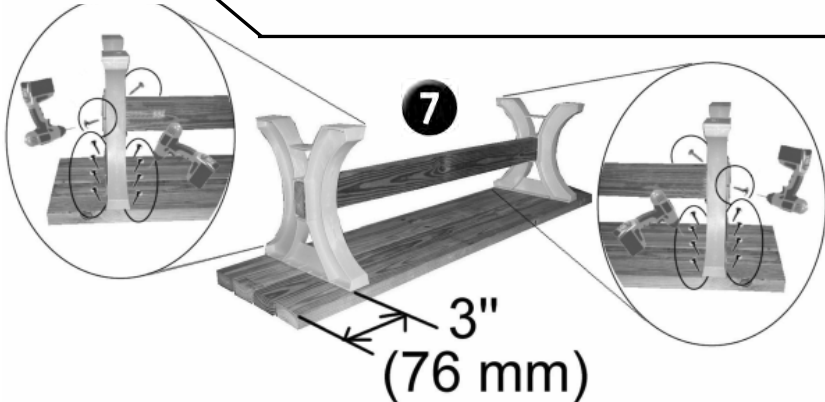
Assemble
Two Benches



7

3"

(76 mm)



2-Year Limited Warranty for this 2x4basics product purchased for normal household use. Hopkins Mfg. warrants this product to the original purchaser of a Hopkins Mfg. product that it will be free from defects in material and workmanship for a period of 2 years from the date of purchase. Hopkins Mfg. will repair, replace, or refund the purchase price of the product, at the option of Hopkins Mfg., upon return of the product and the original receipt. In the US, this warranty gives you specific legal rights that may vary from state to state.