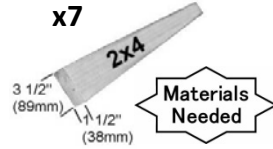
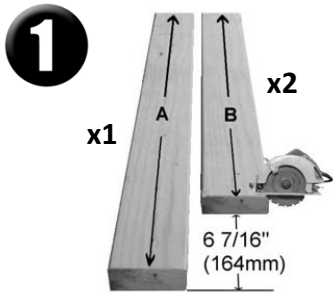


# 2x4basics STORAGE SYSTEM FIREWOOD RACK

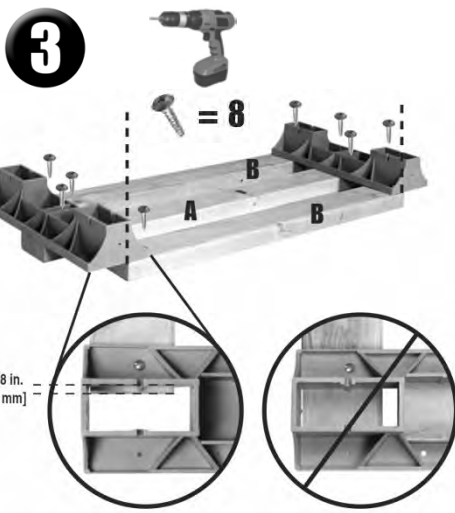


**Tools Needed**



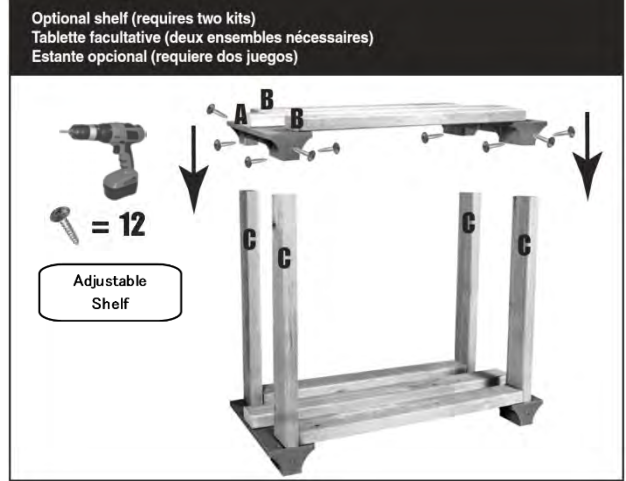
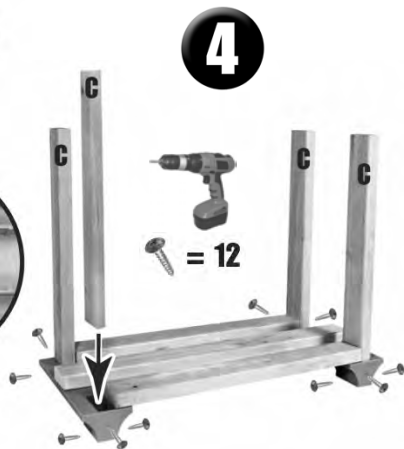
**2**

	24 in. (610 mm)	32 in. (813 mm)	40 in. (1016 mm)	48 in. (1219 mm)	56 in. (1422 mm)	64 in. (1625 mm)
A	x1	x1	x1	x1	x2	x2
B	x2	x2	x2	x2	x4	x4
C	x4	x4	x4	x4	x4	x4
Level	x1	x1	x1	x1	x2	x2



**MAKE IT ANYSIZE\***  
 Battisé selon vos dimensions\*  
 Hágalo de cualquier tamaño\*

$A - 6.5 \text{ in.} = B$   
 $A - 165 \text{ mm} = B$



**2-Year Limited Warranty** for this 2x4basics product purchased for normal household use. Hopkins Mfg. warrants this product to the original purchaser of a Hopkins Mfg. product that it will be free from defects in material and workmanship for a period of 2 years from the date of purchase. Hopkins Mfg. will repair, replace, or refund the purchase price of the product, at the option of Hopkins Mfg., upon return of the product and the original receipt. In the US, this warranty gives you specific legal rights that may vary from state to state.



428 Peyton St.  
 Emporia, KS 66801  
 800-524-1458



Please visit our website for more project ideas: [www.2x4basics.com](http://www.2x4basics.com)

