

2x4 basics[®]

DECKS DEKMATE™



Included

- E**

x12
 #10 x 1 in.
 (4.75 mm x 25 mm)
- F**

x4
 1/4 in. x 1 1/2 in.
 (6 mm x 38 mm)
- G**

x9
 #8 x 2 1/2 in.
 (4.5 mm x 64 mm)
- H**

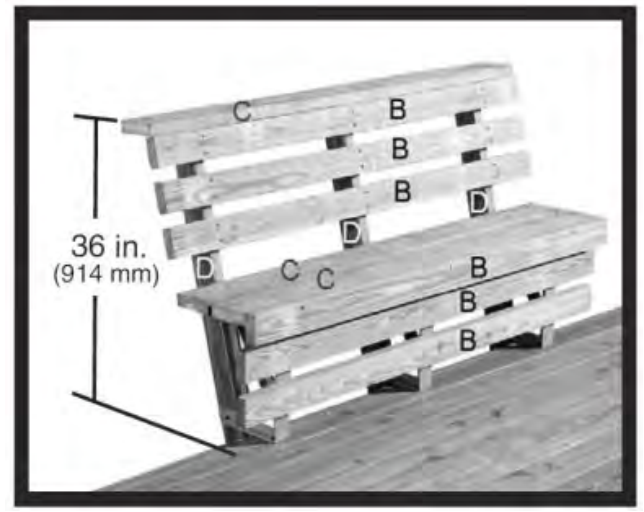
x2
 5/16 - 18 x 2 1/2 in.
 (8 mm x 64 mm)
- I**

x2
 5/16 in.
 (8 mm)
- J**

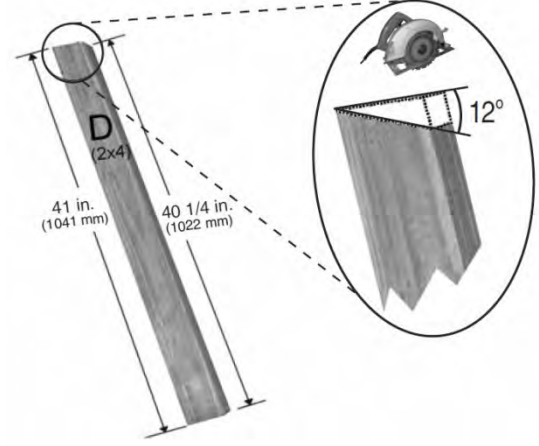
x2
 5/16 in.
 (8 mm)
- K**

x2
 5/16 in.
 (8 mm)
- L**

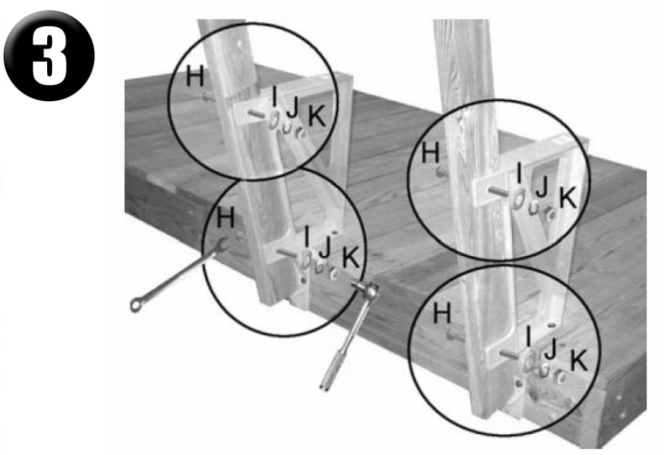
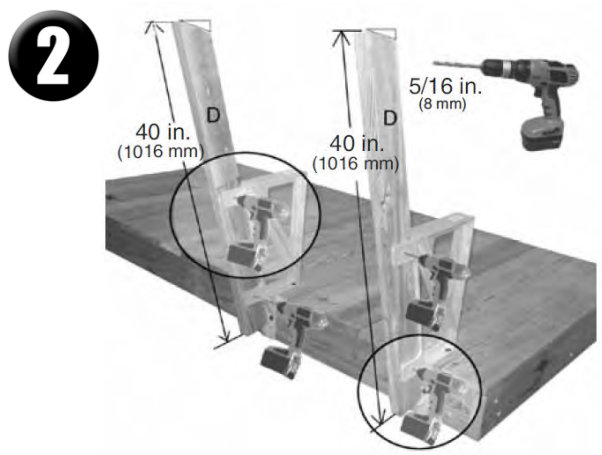
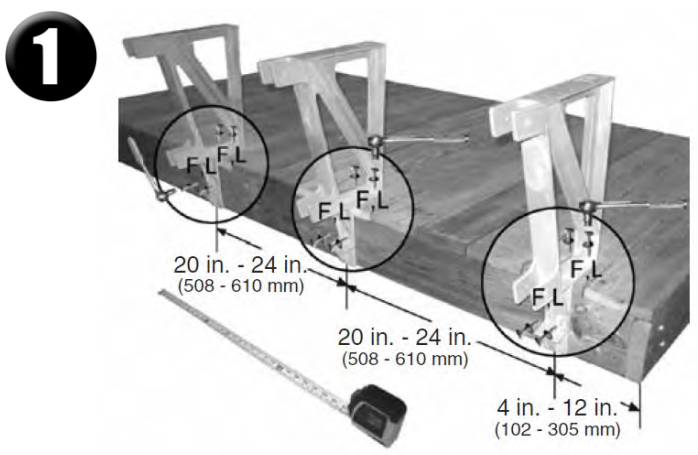
x4
 1/4 in.
 (6 mm)

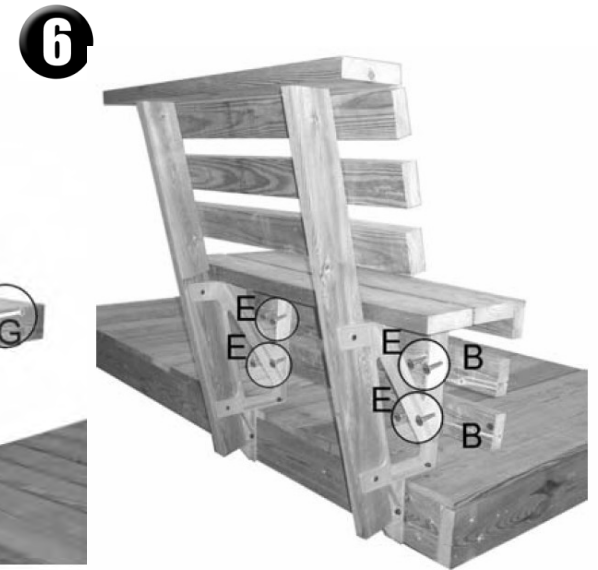
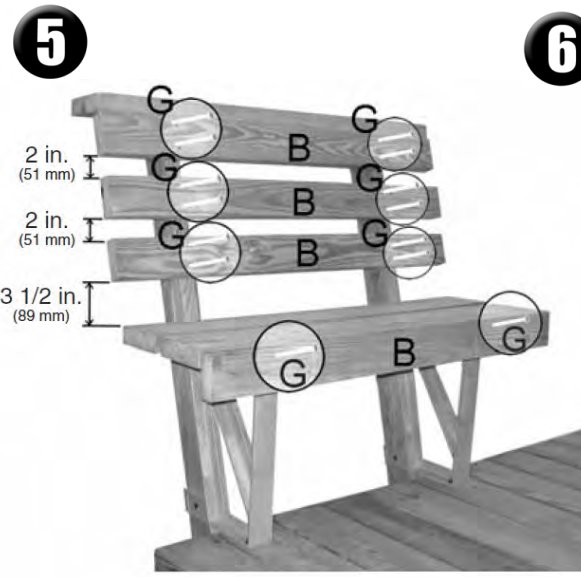
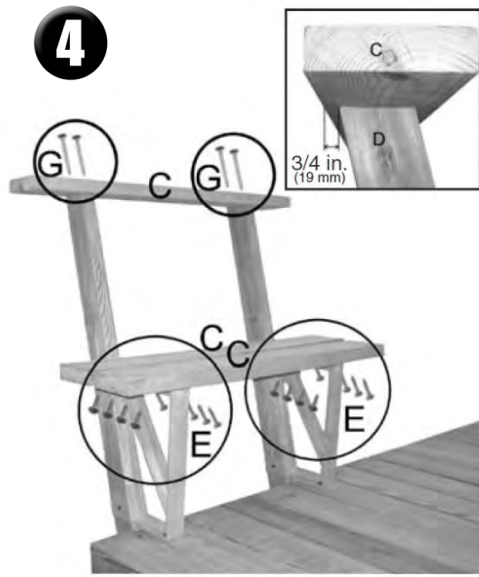
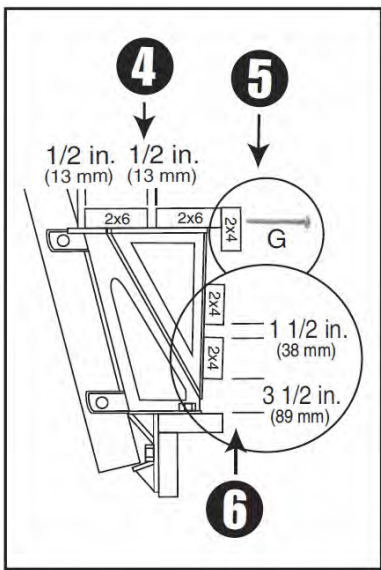


Tools Needed

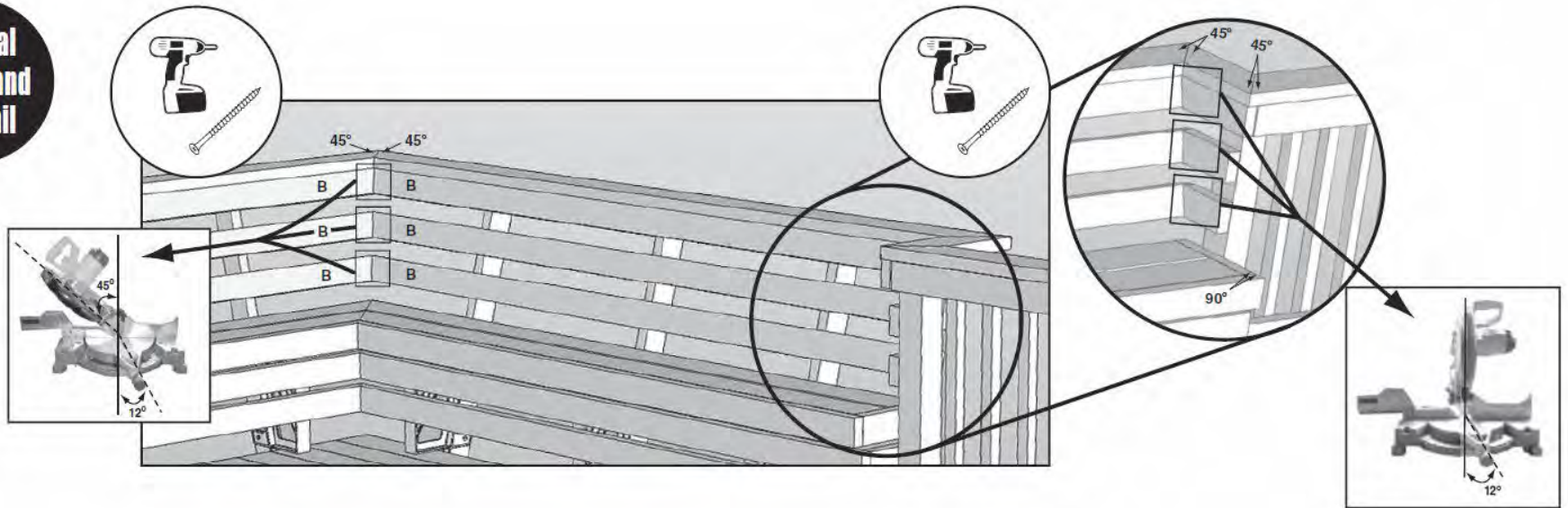


Materials Needed





Optional corner and handrail



SAFETY PRECAUTIONS: Be sure to follow the manufacturer's instructions for installation. Consult local building codes for additional requirements or restrictions before installation. If the installer is not the user, the installer must instruct the user of all safety precautions. Space Bench Brackets no more than 24in. (60 cm) apart and 12 in. (30 cm) from the ends of the bench. Before installation, be certain the decking is good condition and thick enough to conceal the entire length of screws and bolts. The bench should be used as a seat. Do not use for standing or walking. Never sit on the top rail of the Bench. Check all fasteners annually and retighten or replace if necessary.

2-Year Limited Warranty for this 2x4basics product purchased for normal household use. Hopkins Mfg. warrants this product to the original purchaser of a Hopkins Mfg. product that it will be free from defects in material and workmanship for a period of 2 years from the date of purchase. Hopkins Mfg. will repair, replace, or refund the purchase price of the product, at the option of Hopkins Mfg., upon return of the product and the original receipt. In the US, this warranty gives you specific legal rights that may vary from state to state.



428 Peyton St.
Emporia, KS 66801
800-524-1458

www.2x4basics.com